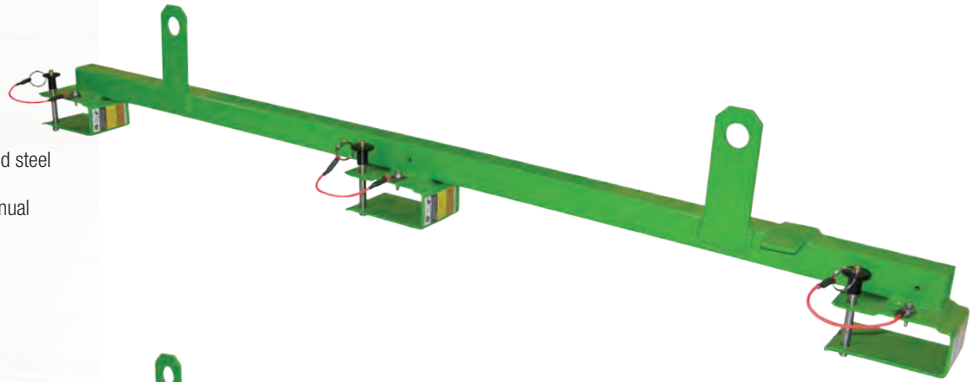


Anchors • Floor Joist Safety Bar

No. 1017A 2x4 Web Joist Safety Bar Legs spaced 24" o.c x 48" length

- Rugged 11 gauge green powder coated steel
- Stainless steel detent lock pins
- Shock cord tethers and instruction manual
- Temporary Fall arrest for 2 persons.

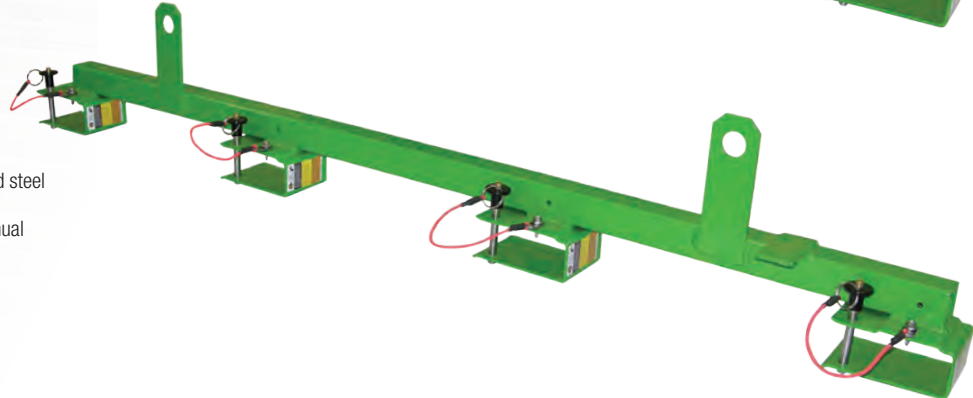
Pkg. Wt. 17 lb



No. 1017B 2x4 Web Joist Safety Bar Legs spaced 16" o.c x 48" length

- Rugged 11 gauge green powder coated steel
- Stainless steel detent lock pins
- Shock cord tethers and instruction manual
- Temporary Fall arrest for 2 persons.

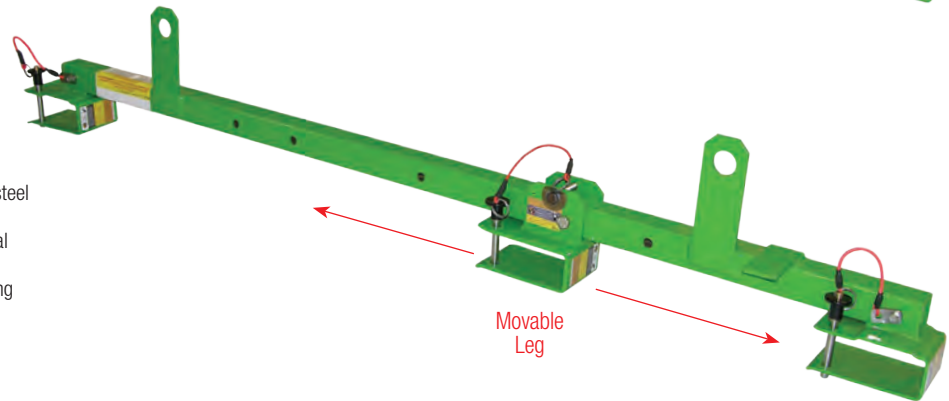
Pkg. Wt. 18 lb



No. 1017C 2x4 Web Joist Safety Bar Center leg is adjustable for 12-16-24" centers x 48" length.

- Rugged 11 gauge green powder coated steel
- Stainless steel detent lock pins
- Shock cord tethers and instruction manual
- Temporary Fall arrest for 2 persons.
- Additional movable legs may be added using

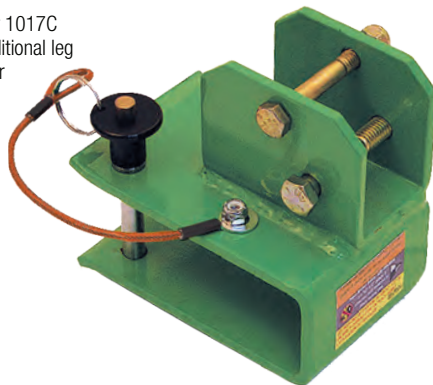
Pkg. Wt. 19 lb



No. 1017G Adjustable Leg for Floor Joist Bars

- Movable Leg for Safety Bar 1017C
- Use for replacement or additional leg
- Lock with shock cord tether
- Includes Detent Pin
- Grade 8 attachment bolts

Pkg. Wt. 1 lb



All Truss Bar 1017 Models are designed for use on 2x4 web joists and comply with: OSHA 1926.502/1910.66/ANSI Z359.1-07 All Bars equipped with replaceable detent pins and tethers No. 2015.

