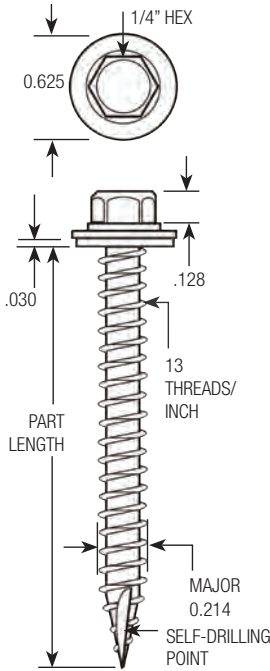


Fasteners • Screws & Nails

No. 2022 CRA™ Anchor Installation Screw

#14 2-1/2" screw specifically for our CRA anchors installation. Installs in wood or steel decking. Fall arrest rating. Permanent installation.
Qty: 40



No. 2022B CRA™ Anchor Installation Screw

Qty: Per 1lb

No. 2032 & No. 2035 Headlock Screw

Headlock™ Screws 1-5/8" - 12". Engineered fastener for permanent install through roofing substrate. Gimlet, Spade & Drill Point available. Fall arrest rating. Permanent installation.

No. 2032 2-7/8"

Qty: 8

No. 2032B 2-7/8"

Qty: 32 per 1lb

No. 2032C 3" to 12"

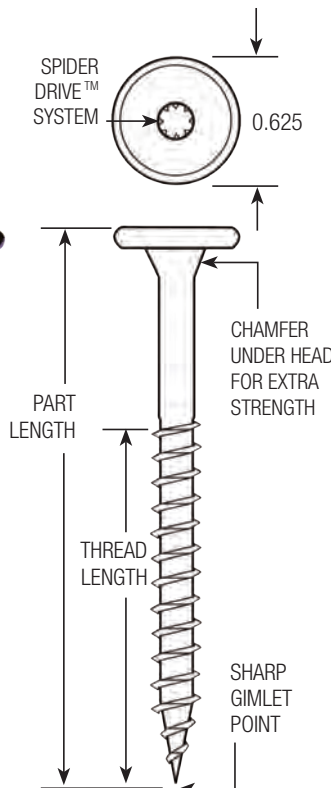
Qty: Per Each
Custom Fastener - Call For Quote

No. 2035 1-5/8"

Qty: 8

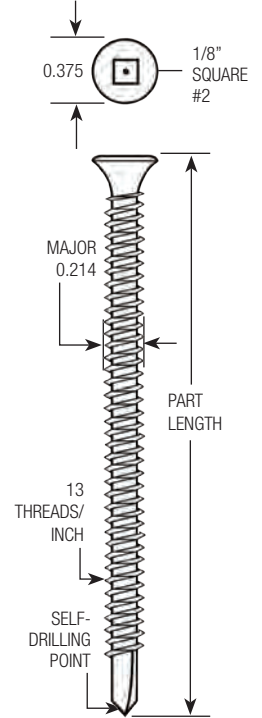
No. 2035B 1-5/8"

Qty: 32 per 1lb



No. 2045 Stainless Steel Bugle Head Screw

#10 3" 410 Stainless Steel Bugle Head Screw. This screw is an optional fastener for many of our permanently installed anchors. Fall arrest rating. Permanent installation.
Qty: 8



No. 2045B Stainless Steel Bugle Head Screw

Qty: Box of 100

No. 2076 & No. 2078 WS Series Wood Screw

USP WS Series wood screw. Self drilling, 1/4" diameter high strength, heavy duty wood screw for hinged anchors. Can be used up to 20 times. Fall arrest rating. Temporary installation only!

No. 2076 2-1/2"

Qty: 10

No. 2076B | 2-1/2"

Qty: 33 per 1lb

No. 2078 3-1/2"

Qty: 8

No. 2078B 3-1/2"

Qty: 24 per 1lb

