

Pre-Engineered 4-Hole Base/Backer Plate Live Worksheet

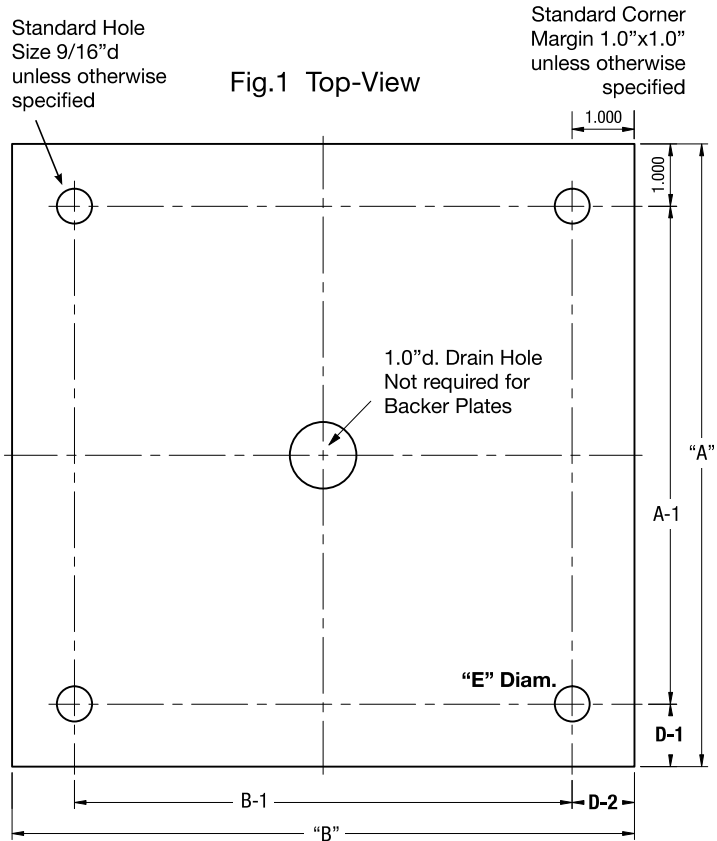


Fig.1 Top-View

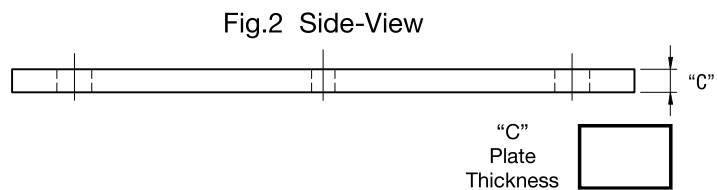


Fig.2 Side-View

Base/Backer Plate Options			
Plate Thickness	A-36 Steel	304 SST	316 SST
3/8	Yes	Yes	Yes
1/2	Yes	Yes	Yes
5/8	Yes	Yes	Yes
3/4	Yes	Yes	Yes
7/8	Yes	No	No
1.0	Yes	Yes	Yes
1-1/8	Yes	No	No
1-1/4	Yes	Yes	Yes
1-1/2	Yes	Yes	Yes
1-5/8	Yes	No	No

Sign-Off Required to Order

Terms:

Anchors specified on this plan are custom mfg. and are not returnable after fabrication has been authorized by the customers purchase order. A 50% deposit or house credit account is required to begin fabrication and the balance paid upon completion or credit terms.

Authorization for Fabrication

I accept the fabrication specifications, number of units required, project name or customers name, are correct as shown on this plan.

Date: _____

Print Name _____

Sign Name _____

Expires in 30 days from date of customers PO.

Instructions: Sign authorization and include company or dealers purchase order.
Note: Steel prices are subject to change without notice. Unit price quotes are guaranteed only when a PO and deposit have been received. Written or verbal quotes expire after 15 days. Request re-quote before ordering.

Part No.:		Page:
Part Name:		Date:
Project Name:		By:
Contractor:		
Address:		

Plate Specifications							
No. Pcs	<input type="checkbox"/>	Base Plate	<input type="checkbox"/>	Backer Plate	<input type="checkbox"/>	No Drain Hole	<input type="checkbox"/>
Import Steel	<input type="checkbox"/>	USA Certified	<input type="checkbox"/>	304 sst	<input type="checkbox"/>	316 sst	<input type="checkbox"/>
Fabrication Certifications							
97% US Mfg. Imported Steel	<input type="checkbox"/>	97% US Mfg. Cert. US Steel	<input type="checkbox"/>	Imported Loop Tops are less than 3% of the fabrication cost.			

Base Plate Dimensions/Inches				
A	A-1	B	B-1	"C"
"E" Diam.	D-1	D-2	Est. Wt.	

Fabrication Certifications					
100% US Mfg. Imported Steel	<input type="checkbox"/>	100% US Mfg. US Cert. Steel	<input type="checkbox"/>	100% Import	<input type="checkbox"/>

