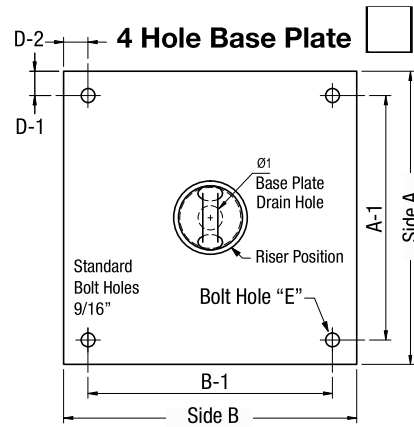
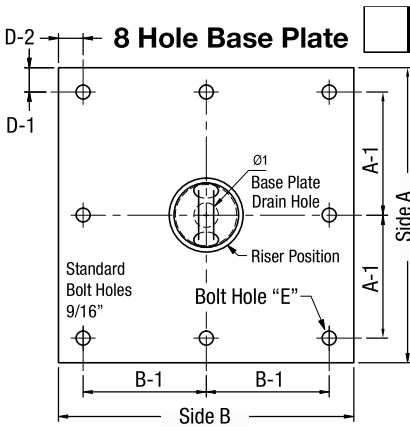
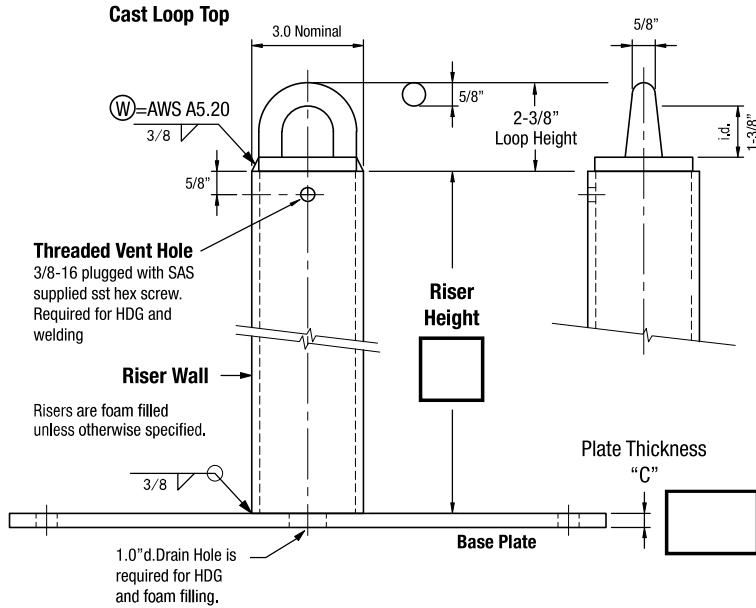


5,000lb Min. Tensile Strength
Max Proof Load 2,500lb

Fig.1 - Front View

Fig.1a - Side View



Corner Bolt Holes
Standard Corner Holes
D-1/D-2 are 1.0"

CRA-W Model Rated for Window Washing

Sign-Off Required to Order

Terms:

Anchors specified on this plan are custom mfg. and are not returnable after fabrication has been authorized by the customers purchase order. A 50% deposit or house credit account is required to begin fabrication and the balance paid upon completion or credit terms.

Authorization for Fabrication

I accept the fabrication specifications, number of units required, project name or customers name, are correct as shown on this plan.

Print Name _____ Date: _____

Sign Name _____

Expires in 30 days from date of customers PO.

Instructions: Sign authorization and include company or dealers purchase order. Note: Steel prices are subject to change without notice. Unit price quotes are guaranteed only when a PO and deposit have been received. Written or verbal quotes expire after 15 days. Request re-quote before ordering.

CRA-W Standard Dimensions

CRA Model Riser Ht.	Riser Wall	Base Plate	
		16"x16"	Wt./lb
8-W	Sch 40	3/8"	36
12-W			41
18-W			46
24-W	Sch 80	5/8"	64
30-W		7/8"	81
36-W		1.0"	95

Stainless Steel Materials

316sst risers and/or base plates may not be available. SAS will notify the customer and provide a substitute for 304sst.

Custom Base Plate

Base plates with non-standard bolt hole spacing/dimensions. Specify on Custom Base Plate form or drawing.

Part No.:		Page:
Part Name:	CRA-W	Date:
Project Name:		By:
Contractor:		
Address:		

No.
PCS

Riser/Loop Top Specifications

Riser Ht. Sch 40 0.203 Sch 80 0.276 Foam Filled No Foam Filled HDG Finish

Loop Top 1090 Loop Top 1090-S Import Steel USA Certified 304 sst 316 sst

Riser/Base

Note: Loop Top fixtures are imported cast steel.

Base Plate Specifications

4 Hole 8 Hole HDG Finish 304 sst 316 sst

Base Plate Dimensions/Inches

A	A-1	B	B-1	"C"
"E" Diam.	D-1	D-2	EST.WT.	

SAS mfg. Components for Fabrication

Loop Top 1090 Q235 Loop Top 1090-S 316sst Sch 40 Riser w/1090 Loop Top Sch 80 Riser w/1090 Loop Top

Risers w/threaded vent Holes

Fabrication Certifications

97% US Mfg. Imported Steel 97% US Mfg. Cert. US Steel Imported Loop Tops are less than 3% of the fabrication cost.

