

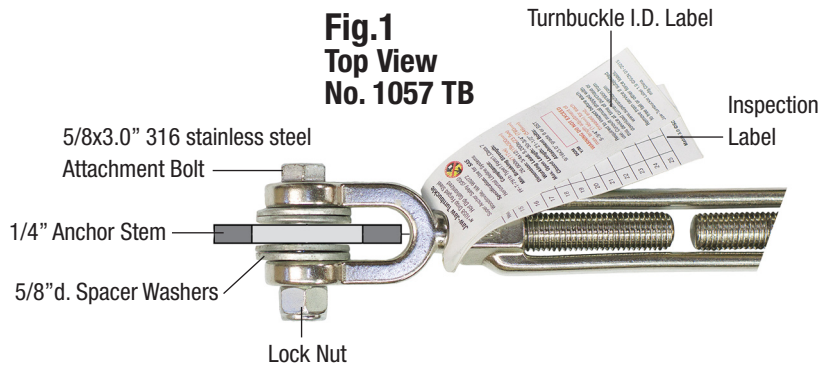
# SAS Wall Anchor

## Wall Brace/Turnbuckle Attachment 12-10-2015

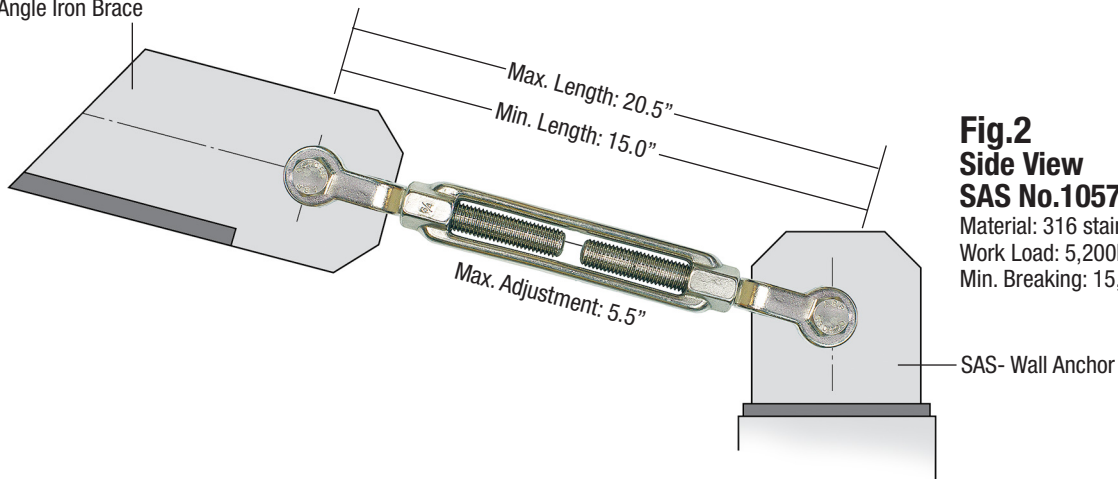


### Turnbuckle (TB)

Turnbuckles are supplied with 316 stainless steel attachment bolts/lock nuts, product I.D. label and 24 year period inspection labels. Additional year inspection labels are available upon request.

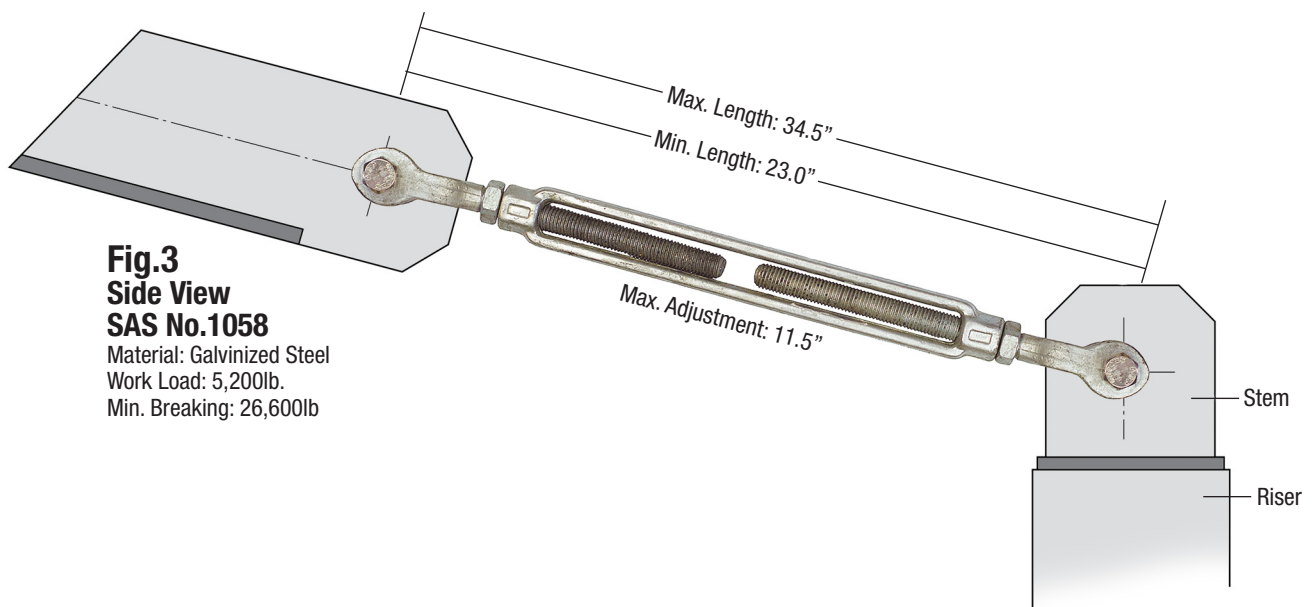


3-1/2x3-1/2x3/8  
Angle Iron Brace



**Fig.2**  
**Side View**  
**SAS No.1057**

Material: 316 stainless steel  
Work Load: 5,200lb.  
Min. Breaking: 15,600lb



**Fig.3**  
**Side View**  
**SAS No.1058**

Material: Galvanized Steel  
Work Load: 5,200lb.  
Min. Breaking: 26,600lb