



SUPER ANCHOR SAFETY

Ladder Leash™ N°1095 Instruction/Specification manual 2017 Not to be used for PPE Fall Protection Device

ENGLISH
VERSION

WARNING TO USER:
Use Only Super Anchor Safety (SAS) Instruction/ Specification manual for SAS equipment. You must read this manual before you use this device. Improper use can result in serious injury or death. Consult SAS-2011 manual for more information about fall protection.

Specified Use

Temporary tie-off strap for ladders to wood framed structures. **WARNING!** Use for extension ladders only. **Working Load:** 50lb (22kg) **Max. User Wt.:** 340lb (154kg) **Worker Capacity:** One person per ladder with tools and equipment.

Material Specifications

Nail Plate: 0.0625 gauge zinc plated steel
Webbing: 1.0" (25mm) Polyester min. tensile strength 5,000lb (22.5kN)
Cam Buckle: 1.0" (25mm) wide, tensile strength 1,200lb (0.54kN)

Leash Installation

Each ladder leg must be secured with a Ladder Leash as shown at Fig.7. Prior to installation, the following conditions must be met:
• Ladder feet are on stable ground and leveled.
• Ladder is stabilized against a leading edge.
• Ladder angle is 4 to 1*.
• The user must have training in ladder safety.
*Ladder feet are sloped away from the leading edge 1ft for every 4ft of vertical rise.

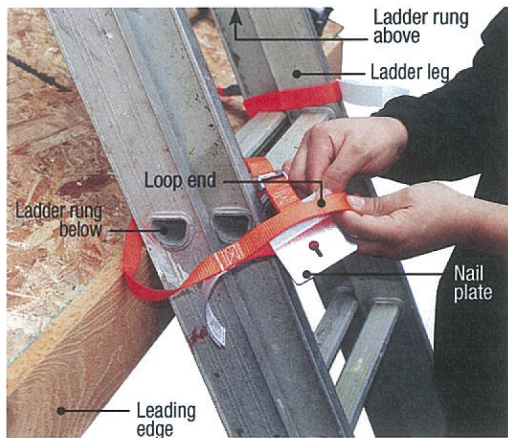
Ladder Certification Required

Ladders must comply with current OSHA safety standards and are free of any defects or damage. Do not use on homebuilt or jobsite built ladders, or to secure scaffolding or hoisting equipment.

Ladder Leash N°1095

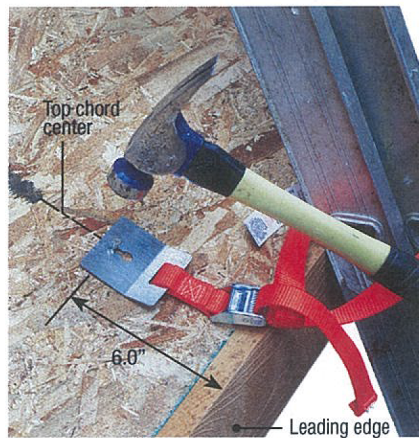


Fig.2 Installation Over Sheathed Framing



Wrap leash webbing around ladder leg between 2 rungs. Feed nail plate through loop end. Do not install above the last rung of a ladder.

Fig.3



Position keyway over center of top chord a min. of 6.0" above the leading edge. Secure w/SAS supplied 3" sst nail through nail slot. See Figs.4,5.

Fig.4

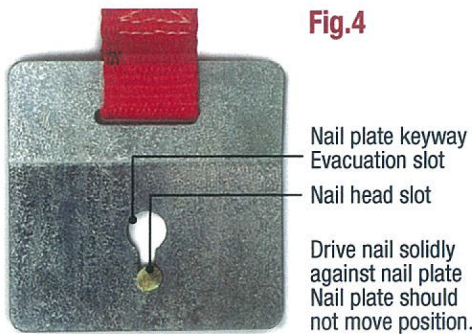


Fig.6



Pull leash webbing through cam buckle and cinch tight against the leading edge to prevent ladder movement. Repeat instructions for the second Ladder Leash. **WARNING!** Failure to secure both ladder legs can result in unintentional movement causing serious injury or death.

Fig.5

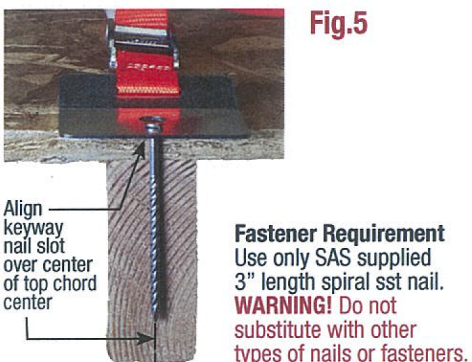
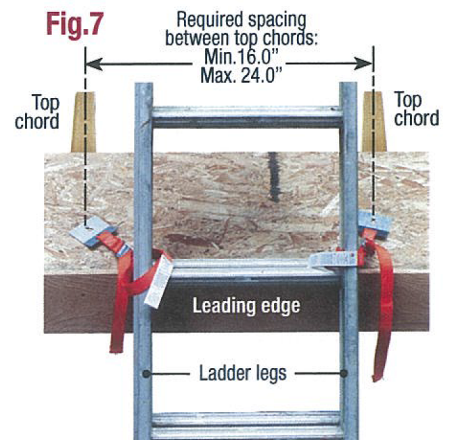


Fig.7



Ladder legs are required to be positioned between two Top chords with nail plates attached into top chords only. **WARNING!** Do not attach nail plates through sheathing only.



SUPER ANCHOR SAFETY

INSTRUCTION / SPECIFICATION MANUAL 2017

Asphalt Shingle Installation

It is recommended to install the nail plate over the first course of roofing, with the keyway position above the second course overlap. Position keyway over top chord center a min. of 6.0" above the leading edge. Align nail plate heel bend with shingles second course butt end. The same installation method can be used on other types of roofing.

Fig.8

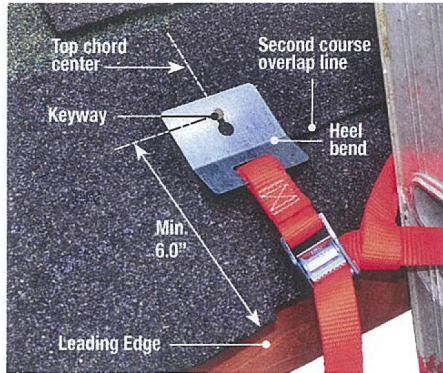
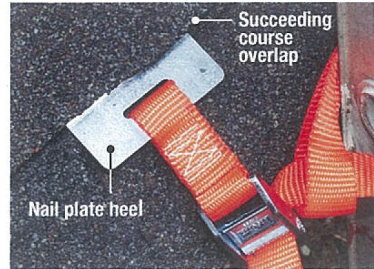
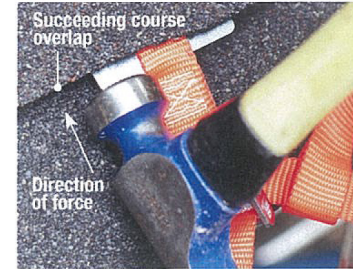


Fig.9



Second course butt end overlaps keyway and conceals nail head. Waterproofing should be applied to the nail head after evacuation.

Fig.10



After evacuation, remove nail plate by pulling on leash webbing.

Nail Plate Evacuation

Gently strike the heel with a hammer to move the nail plate forward. The nail head will intersect the evacuation slot releasing the nail plate.

Fig.11a



Nail plate secured position

Fig.11b



Nail plate evacuated

Nail head is released from keyway evacuation slot

Fig.13



Vertical Installation

Wall: Min. 2x4 framing must have wood siding or sheathing in place.
Fascia: Position nail plate over fascia and center WS-screw into the top chord center.

Wrong Installations

Do a visual inspection of the underside of the framing before use. If any of the conditions shown here are present, remove and re-install.

Fig.12a



Attachment nail through sheathing only. Do not use

12

Fig.12b



Attachment nail blow out. Do not use

11

Fig.12c



Nail plate must not extend over leading edge

Leading edge fascia

Inspect before each use. Remove from service if any of the following inspections fail.

ACTION REQUIRED: ☒=Remove ☑=Repair

Ladder Leash Fig.1

- 1 Nail plate is cut, bent or deformed. ☒
- 2 Keyway is damaged. ☒
- 3 Heel bend has cracks. ☒
- 4 Cam buckle webbing or stitching is cut or worn at the webbing slot. ☒
- 5 Cam or buckle spring is broken and won't grip webbing. ☒
- 6 Leash webbing or loop end is cut, abraded or damaged. ☒
- 7 Webbing end stop is missing or stitching is coming loose. ☒
- 8 Warning labels are missing or not legible. ☑ Request replacement labels.

Installation Inspection. Ladder must be stable.

- 9 Nail head is positioned in nail head slot of nail plate. Fig 11a
 - 10 Nail plates are attached to and between top chords as shown at Fig.7
- Check underside of framing for fastener
- 11 blowouts or 12 missed top chord. Fig.12a,12b.
- Remove nail plate and install correctly. ☑