

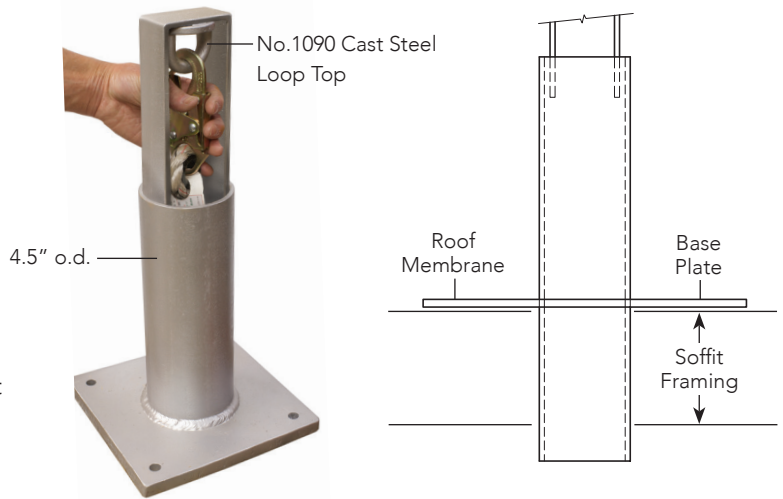
Special Application Anchors

Custom Manufacturing

SAS design combined with 3rd party engineering and testing provides solutions for all types of fall protection and mechanical support anchors. Contact SAS sales team for unit prices and availability. Available in Hot Dip Galvanized, 304sst or 316sst. All anchors have a minimum tensile strength rating of 5,000lbs.

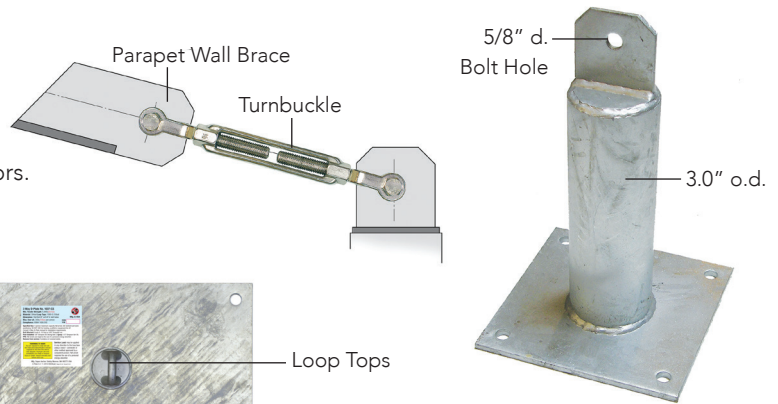
No.1601 CRSA Soffit Anchor

PPE window washing tie-off, the CRSA is designed for installation through soffits. Fitted with a No.1090 cast loop top for easy lifeline attachment. Specify the soffit depth and base plate size. 3rd party engineering by DH Glabe & Assoc. Report available upon request. CRSA 02-2021 report.



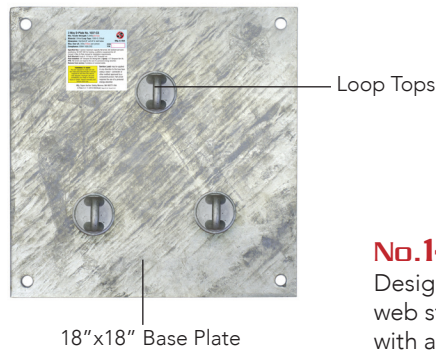
No.1066 CRA-U Utility Anchor

Utility anchors are designed to support mechanical equipment and parapet wall braces. Specify custom or standard design. Riser and base plate are mfg. to the same specifications as our CRA anchors.



No.1304 3 D-Plate Anchor

An extra large D-Plate anchor supporting three PPE tie offs. Concrete embedment, field weld or bolt attached. Fitted with 3ea No.1090 or No.1093 cast loop tops. 3rd party engineering by DH Glabe & Assoc Report available upon request.



No.1478 CRWT

Designed for attachment to open web steel trusses, the OWT is fitted with a No.1090 loop top. Bolt attaches with backer plates. Use for PPE overhead tie-off. 3rd party engineering by DH Glabe & Assoc. Report available upon request.

No.1037/No.1301 D-Plate

Our standard model 6 inch by 6 inch D-Plates are ideal for exterior wall installation to support canopies or other mechanical equipment. Intertek certified testing and 3rd party engineering by DH Glabe & Assoc Report available upon request. See D-Plate Anchor page for ordering.

- No.1090 1-3/8 inch i.d. cast steel loop top min. tensile strength 15,000lb
- No.1093 2.0 inch i.d. cast steel loop top min. tensile strength 20,000lb



Designed for bolt attached SAS Jaw-Jaw turnbuckles

