

Swivel-D Z-Purlin / Wood Purlin Anchor

Swivel-D Components for Metal Roof Panels

The No.1028-BP1 base plate and No.1028-BP2 backer plate are designed for installation over single 2x4 wood purlins most commonly used in pole building framing with metal panel roofing and commercial steel building metal Z-Purlins. The BP1 base plate is compatible with all flat and ribbed metal panels. We include backer plate attachment bolts for bare 2x4 or 7/16" sheathed 2x4. Caulking is applied to the BP1 base plate underside and beveled edge for waterproofing. All kits contain PID labels and instruction manuals.

No.1028-BPWK Kit

Wood Purlin Contents 6lb

- 1ea No.1028 Swivel-D w/5/8"x1-1/4" sst bolt
- 1ea No.1028-BP1 HDG base plate
- 1ea No.1028-BP2 HDG backer plate
- 2ea 3/8"x2-1/2" grade 5 bolts
- 2ea 3/8"x3.0" grade 5 bolts



Flat Panel w/ Sheathing

Hi-Profile Panel



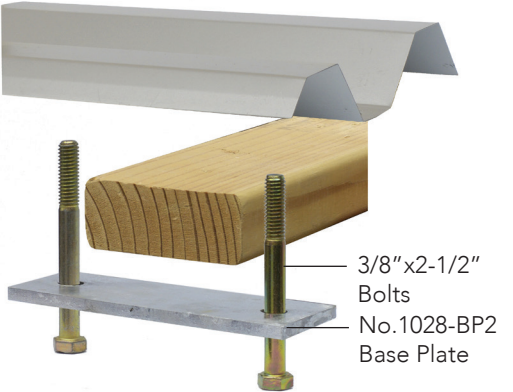
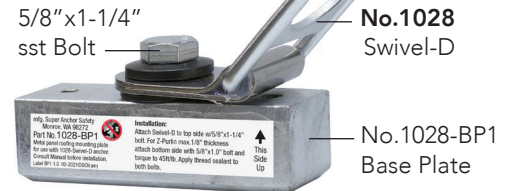
Specifications

- 5,000lb min. tensile strength
- Hot Dip Galvanized (HDG) steel components
- Single person PPE or HLL fixed length cables
- Use with No.1028 Swivel-D

Compliance

ANSI Z359.1/OSHA 1926.502

Assembly with Bare 2x4 Purlin



No.1028-BPZK Kit

Z-Purlin Contents 6lb

- 1ea No.1028 Swivel-D w/5/8"x1-1/4" sst bolt
- 1ea No.1028-BP1 HDG base plate
- 1ea 5/8"x1.0" BP1 bolt
- 1ea sst washer



Z-Purlin



No.1028-BP1K Kit

Base/Backer Plate Contents 4.8lb

- No.1028-BP1 HDG base plate
- No.1028-BP2 HDG backer plate
- 1ea 5/8"x1-1/4" sst bolt
- 2ea 3/8"x2-1/2" grade 5 bolts
- 2ea 3/8"x3.0" grade 5 bolts



No.1028-BP1

Base Plate Contents 4lb

Use with No.1028-Swivel-D

- 1ea No.1028-BP1 HDG base plate
- 1ea 5/8"x1-1/4" sst bolt
- 1ea 5/8"x1.0" sst bolt
- 1ea sst washer



No.1028-BP2

Backer Plate Contents 1.5lb

Use with No.1028-BP1 base plate

- 1ea No.1028-BP2 backer plate
- 2ea 3/8"x2-1/2" grade 5 bolts
- 2ea 3/8"x3.0" grade 5 bolts

