

**5,000lb Min. Tensile Strength
DO NOT PROOF LOAD**

CRO-4

HILL End/Intermediate Anchor

Part No.: **1401-4X** Page: **8**

Part Name: **CRO-4** Date:

Project Name: By:

Contractor:

Address:

No. <input type="text"/>	No. <input type="text"/>	No. <input type="text"/>	4-Way Tops	Backer Plates	Lead Time
CRO-4					

Riser Material Specifications

Riser HT. <input type="checkbox"/>	Sch 80 <input type="checkbox"/>	Foam Filled <input type="checkbox"/>	No Foam <input type="checkbox"/>	HDG Finish <input type="checkbox"/>	304 sst <input type="checkbox"/>
0.337					

4-Way Top

1400-WG <input type="checkbox"/>	Std.8 Hole <input type="checkbox"/>	8 Hole <input type="checkbox"/>	4 Hole <input type="checkbox"/>	Raw Backer <input type="checkbox"/>	HDG Backer <input type="checkbox"/>	304sst Backer <input type="checkbox"/>
HDG						

4-Way tops are imported. Backer Plate must match base plate dimensions and bolt type

Base / Backer Plate Dimensions/Inches

A	A-1	B	B-1	C Thickness
D-1	D-2	CRO-4 Wt.	Backer Wt.	4-Way Top
E-1	E-2	Imported Steel <input type="checkbox"/>	Certified A-36 Steel <input type="checkbox"/>	16.0lb
			97% USA Mfg. <input type="checkbox"/>	

Strength Specifications:
Anchors specified in this plan have a minimum tensile strength of 5,000lb

Custom Order Terms:
Custom anchors are subject to the following terms:

- Submittal of end users' signed worksheet
- Dealers signed purchase order
- 50% deposit received to start fabrication
- Shipping finished order subject to dealer standard terms
- Dealers are not authorized to sign-off on worksheets.

Authorization for Fabrication
The end user accepts the fabrication specifications, number of units required, and project name are correct as shown on this plan.

Print Name _____ Date: _____
Sign Name _____

Price Quotes/Changes
Written price quotes not executed by customers PO, and 50% deposit expire in 15 days and may be subject to increased labor, material or shipping costs.

Fig.1 - Front View

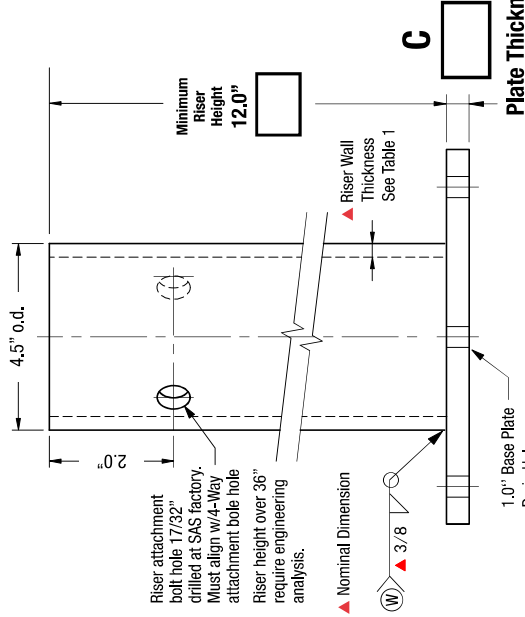


Fig.2 Riser Top View

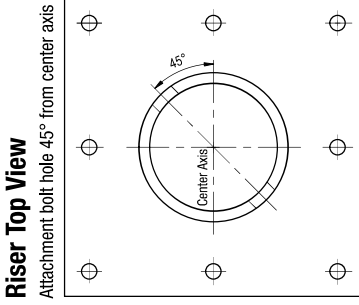


Fig.6 4-Way Top

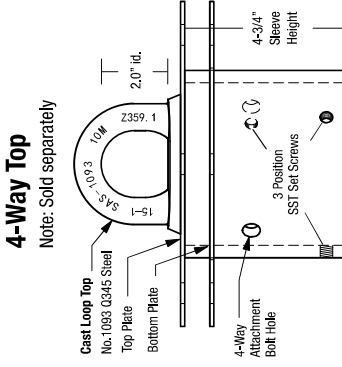


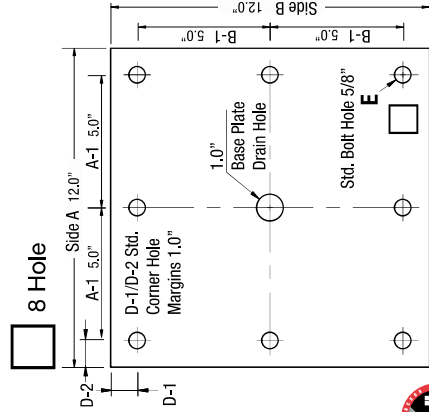
Table 1 Standard Dimensions

Risers	Base/Backer Plates		
Riser wt/lb	Wall	Base/Plate"	wt/lb
12"	15.0		
18"	23.0	Sch	
24"	30.0	80	12x12x 3/4
30"	38.0	0.337	
36"	45.0		

Riser wt/inch Sch 80=1.25

Fig.3 Standard Base Plate 12"x12"

See Table 1 for Base Plate Thickness



Custom Base Plate

Fig.4 8 Hole

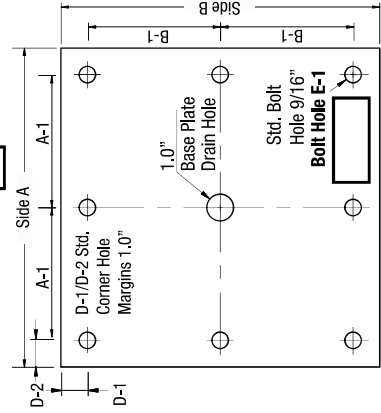


Fig.5 4 Hole

