

CRA HLL Rigging

CRA Standard Rigging

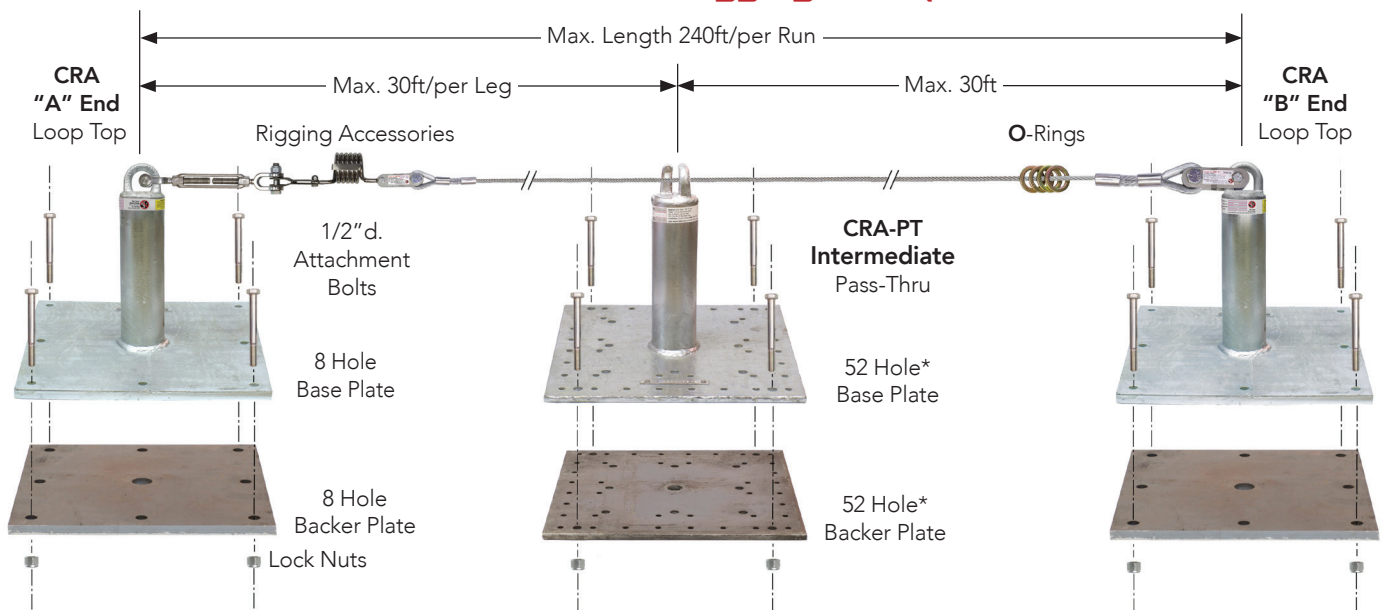
CRA 3.0" od. risers use standard rigging accessories with special couplers designed to fit No.1090/1090-S loop tops with 1-3/8" id. openings. SAS HLL instruction/specification manuals designate "A" and "B" ends to specify the positions of rigging accessories. Turnbuckles are used at the "A" end to tension the cable and are coupled to a spring E/A. The spring E/A tension gauge when fully deployed provides a visible indicator that approx. 250-300lb has been applied to the cable. The "B" end is always terminated with an eye thimble swage. Intermediate 4-Way anchors are rigged the same way unless otherwise specified on the roof plan.

Compliance/Certification

SAS anchors and accessory components are 3rd party certified to comply with current ANSI and OSHA standards.

- CRA/CRO Intertek Lab Reports
 - Engineering by DH Glabe & Assoc.
 - HLL drop test by SAS
- Reports available on request.

CRA Standard Rigging Example



*Max. riser height 18". Consult Catalog page for riser heights above 18".

Standard Rigging Specifications

- **Anchor Attachment to Structure:**
 - a) Bolt attached
 - b) Concrete embedment
 - c) Concrete expansion bolts
 - d) Epoxy wedge bolts
 - e) Field welded
- **Max. HLL Length (Run):** 240ft
- **Max. Anchor Spacing (Leg):** 30ft
- **"A" and "B" ends:** Loop top or 4-Way anchor
- **Intermediate Anchor:** Pass-Thru or 4-Way anchor
- **"A" end:** Couplers + turnbuckle + 1 spring E/A
- **"B" end:** Cable termination

Alternate Rigging

Turnbuckles and spring E/A's may be attached to opposite end of a HLL length using special application couplers.

User Specifications

- **Fall Arrest:** Max.2 persons per HLL run w/max.1 person per leg
- **Fall Restraint:** 4 persons per HLL run w/max. 2 persons per leg
- Personal energy absorber required for each person

Cable Terminations

- Field swage both ends of HLL length
 - a) Cable clamps
 - b) Optional 8001-CFS on-site hyd. crimper system
 - c) One end factory swaged

HLL Cable

- Cut to length +5ft as measured from roof plan and verified by field measure.
- Bulk cable cut to length on-site