

# CRO-4 HLL 4-Way Anchors

## 4.5"od. CRO-4 HLL Anchors

Specified for HLL end and intermediate anchors, that require bolt, field weld, or concrete embedment attachment to the supporting structure.

### Specifications

- Min. tensile strength 5,000lb
- Compatible w/SAS HLL accessories
- Hot dip galvanized (HDG), 304sst or 316sst
- 3rd Party engineering by DH Glabe & Assoc.  
*Report available on request*
- Contact SAS sales team for custom mfg. and lead times

9/16" d. Accessory Attachment Bolt Holes

CRO-4 Attachment Bolt Hole

No.1093 Cast Steel Loop Top 2" id.

4-Way Top  
9-3/4" diam.

4-1/2"

Overall Height  
8-1/2"

PID Label w/Serial No.

3 Place SST Socket Screws



### Compliance

ANSI Z359.18-17 Type A/T  
CSA Z259.15:22 Type A/T  
OSHA 1926.502

### Ordering Information

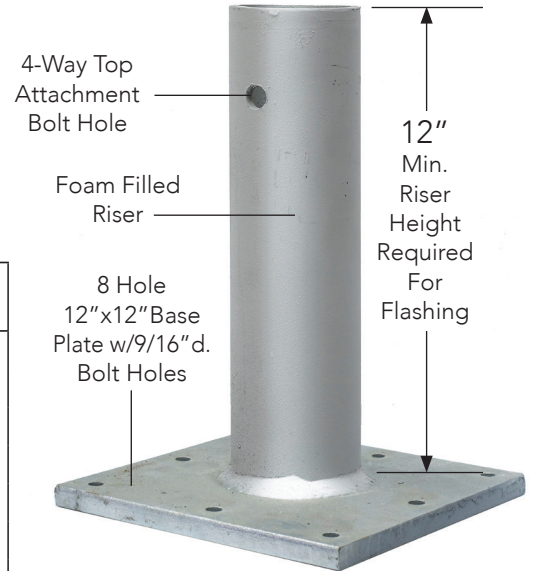
- Order CRO-4 Model Size
- Order CRO 4-Way Top

## CRO 4-Way Top

Part Name	Part No.	Type	Loop Top	wt/lb
▲ CRO 4-Way	1400-4WG	HDG	No.1093 Q345 steel	16

▲ Stock Part includes attachment bolt pkg. and socket screws.  
Not available in stainless steel.

## CRO-4 Anchor



## Request Unit Pricing

Riser Height	Part Name	Part No.	Material Type	4-Way Top	Base Plate Inches	Anchor wt/lb	Riser ▲ Sch
12	△ CRO-4-12	1401-4G	■ HDG	No.1400-4WG	12x12x3/4 8 Hole	47	80 0.337 4.5" od.
		1401-4S	■ 304sst				
18	△ CRO-4-18	1402-4G	■ HDG				
		1402-4S	■ 304sst				
24	△ CRO-4-24	1403-4G	■ HDG				
		1403-4S	■ 304sst				
30	△ CRO-4-30	1404-4G	■ HDG				
		1404-4S	■ 304sst				
36	△ CRO-4-36	1405-4G	■ HDG				
		1405-4S	■ 304sst				

- Standard Design Custom mfg. ▲ Nominal Dimension.
- △ Bolt, concrete embedment, expansion bolts or field welded.
- Order 4-Way top separately.
- Note 1: Max. proof load 2,500lb.
- Note 2: Backer plates may be required for installation.

### Bolt Pkg.

1/2" x 7" 18-8sst  
Attachment Bolt w/Lock Nut  
Bonded SST Seal Washers

