

Sub-Surface Anchor for Wood Framing

The SSA 1305-B fall protection anchor is specified for wood or steel framed vertical walls installed with CBO 1305-19 cross-brace. SSA-1305-B features a 1-1/4" diam. receiver bolt that can be adjusted for exterior wall thickness of up to 3". The threaded loop top is removable allowing for permanent or temporary use and features a chrome steel cover plate to conceal the adjuster bolt when not in use. Specified for exterior or interior installations.

Specifications

- Min. tensile strength 5,000lb
- Fall arrest or fall restraint
- Adjustable receiver bolt for varying substrate and slab thicknesses
- Primer coated steel

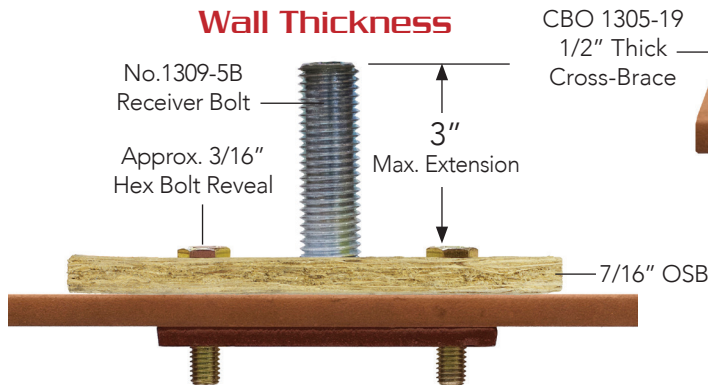
Compliance

ANSI Z359.18-17 Type A/T
CSA Z259.15:22 Type A/T
OSHA 1926.502

Ordering Information

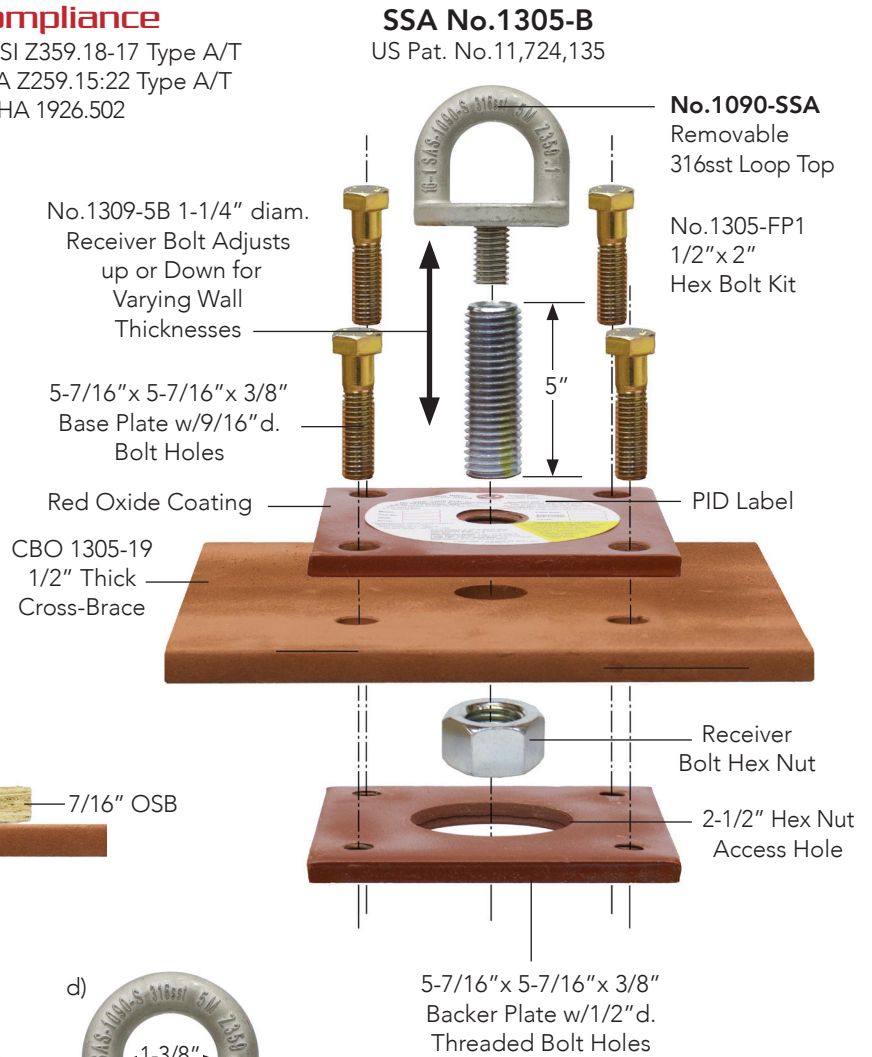
Part No.	Description	wt/lb
▲ SSA 1305-B	See pkg. Contents	9
■ 1309-X	Receiver Bolt	

▲ Stock Part. ■ Custom mfg. specify slab depth.



Wall Thickness

No.1309-5B Receiver Bolt
Approx. 3/16" Hex Bolt Reveal
3" Max. Extension



SSA No.1305-B

US Pat. No.11,724,135

No.1090-SSA Removable 316sst Loop Top

No.1305-FP1 1/2"x2" Hex Bolt Kit

No.1309-5B 1-1/4" diam. Receiver Bolt Adjusts up or Down for Varying Wall Thicknesses

5-7/16"x 5-7/16"x 3/8" Base Plate w/9/16" d. Bolt Holes

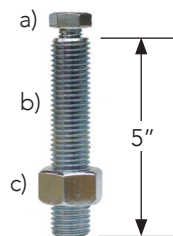
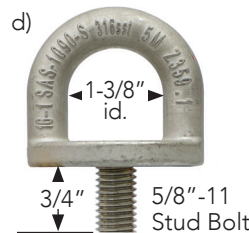
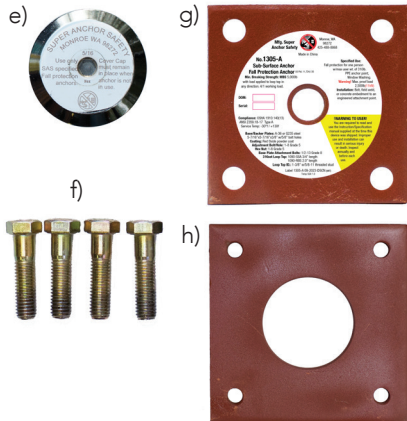
Red Oxide Coating PID Label

CBO 1305-19 1/2" Thick Cross-Brace

Receiver Bolt Hex Nut

2-1/2" Hex Nut Access Hole

5-7/16"x 5-7/16"x 3/8" Backer Plate w/1/2" d. Threaded Bolt Holes



SSA 1305-B pkg. Contents

- 1ea 5/8"x1" temporary bolt
- 1ea No.1309-5B 1-1/4"x5" receiver bolt
- 1ea 1-1/4" receiver bolt hex nut
- 1ea No.1090-SSA loop top
- 1ea No.1305-RC chrome plated steel cover plate
- 1ea No.1305-FP1 bolt kit
4ea 1/2"x2" grd. 8 bolts
- 1ea No.1307-B base plate
- 1ea No.1308 backer plate