

# Vault Anchors

A SAS exclusive, CRV-Vault anchors are designed for concrete substrates or CMU block wall installations. A threaded drain hole option is available for anchors installed onto flat surfaces or tilt walls. Contact SAS sales team for custom mfg. and lead time.

## Specifications

- Min. tensile strength 5,000lb
- HSS 7x7x1/4" vault
- No.1603 w/1090 1-3/8" id. loop top  
No.1604 w/1093 2" id. loop top
- CMU block walls
- Poured in place concrete
- Thermo-plastic color choices

## Compliance

ANSI Z359.18-17 Type A/T  
CSA Z259.15:22 Type A/T  
Window Washing: ANSI/IWCA I-14.1  
CAL-OSHA Title 8  
OSHA 1926.502  
DH Glabe 3rd party engineering

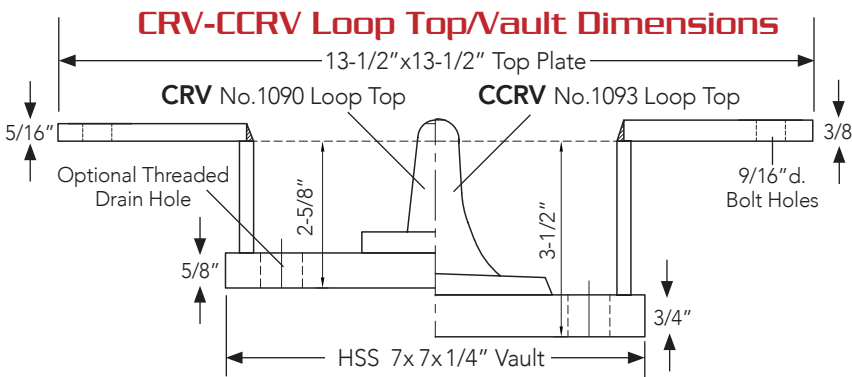
**CCRV-G No.1604-G**  
CAL-OSHA Compliant  
Hot Dip Galvanized



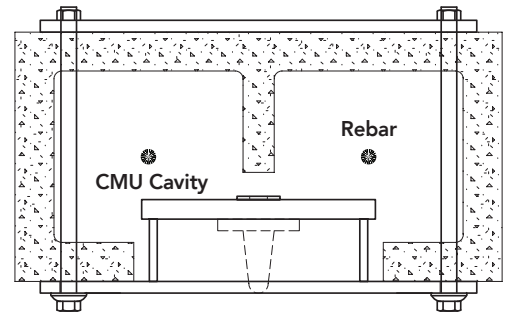
**CRV No.1603-TP**  
Thermo-Plastic Coating



**CMU Block Wall**  
Shown w/8"x 8"x16" CMU Block



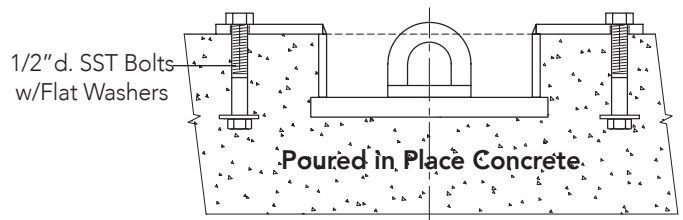
**CMU Block Wall**  
Bolt-Thru w/Backer Plate



## Request Unit Pricing

Part Name	Material		Top Fixture		Anchor wt/lb
	Part No.	Type	No.	Type	
CRV Vault	■ 1603-TP	Thermo-coat	1090	Q235	30
	■ 1603-G	HDG			
	■ 1603-S	304sst			
	■ 1603-X	Project Specific Custom Design			
CCRV CAL-OSHA Vault	■ 1604-TP	Thermo-coat	1093	Q345	35
	■ 1604-G	HDG			
	■ 1604-S	304sst			
	■ 1604-X	Project Specific Custom Design			
CRV-BP Backer Plate	■ 1605-TP	Thermo-coat	13-1/2"x13-1/2"x3/8"		18
	■ 1605-G	HDG			
	■ 1605-S	304sst			
Drain Hole	Ø 1603-DH	Option: Specify Hole Size			

■ Standard Design Custom mfg. Ø Specify at time of ordering.  
■ Design Options: Vault Depth. Top and Backer Plate Dimensions.  
Note 1: Max. on site proof load 2,500lbs.  
Note 2: Backer plates required for bolt-thru installation.



Note: Attachment bolts not included. Order separately.

**No.1605**  
13-1/2"x13-1/2"x3/8"  
Backer Plate

