

# Open Web Steel Truss/Joist Anchor

CRWT anchor is designed for attachment to several standard size open web steel trusses. Easily attaches with 2 bolts. Use for single person anchor point or HLL system. Ideal for overhead SRL tie-off.

## Open Web Steel Joist/Truss



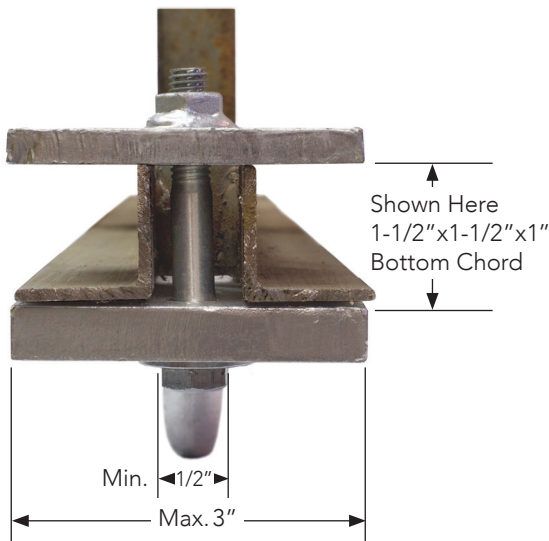
### Specifications

- Min. 5,000lb tensile strength
- No. 1090 w/1-3/8" id. loop top
- HDG or 304sst
- 3rd party engineering by DH Glabe & Assoc. Report available upon request.
- Contact SAS sales team for custom mfg. and lead times.

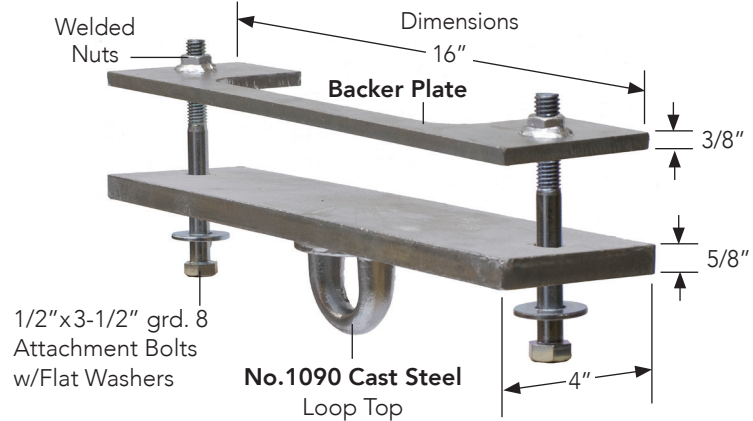
### Compliance

ANSI Z359.18-17 Type A/T  
CSA Z259.15:22 Type A/T  
OSHA 1926.502

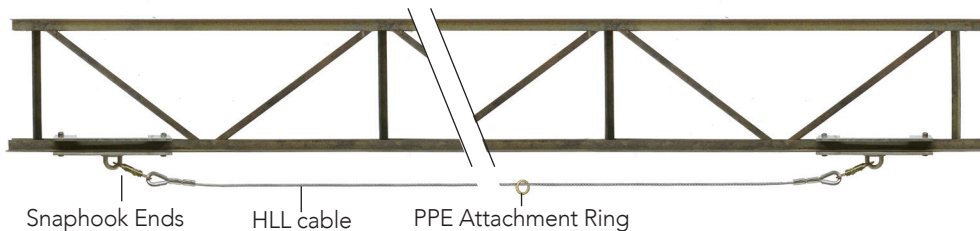
### Web Thicknesses



### CRWT No.1478/1478-S



### Parallel HLL System



### HLL Lifeline System

HLL cables sold separately.

#### Fixed Length:

- No. 1336 5° angle
- No. 1335 30° angle

#### Custom Length:

- Custom Wire Rope Lanyard worksheet

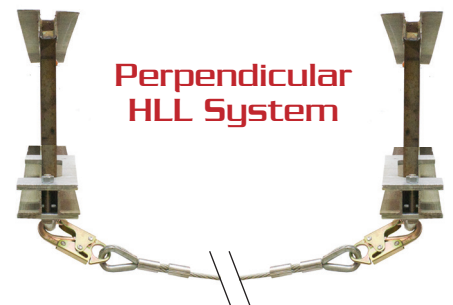
### Request Unit Pricing

Part Name	Part No.	Material Type	Loop Top		Anchor wt/lb
			No.	Type	
CRWT	■ 1478	HDG	1090	Q235	17
	■ 1478-S	304sst	1090-S	316sst	
	■ 1478-X	Project Specific Custom Design			

Note 1: Max. on site proof load 2,500lbs

Note 2: Includes 1/2"x3-1/2" grd. 8 bolts w/washers to fit 1-1/2"x1-1/2"x1" bottom chord

### Perpendicular HLL System



- Standard Design Custom mfg.
- Truss dimensions, loop top and pass-thru top orientation for HLL system.