

Concrete Insert Anchor

No.1309-3 SSA receiver bolt is specified for concrete substrate installation. Use with SAS compatible anchors as a permanent or removable anchor for single person PPE or HLL system. Not specified for window washing anchors.

Specifications

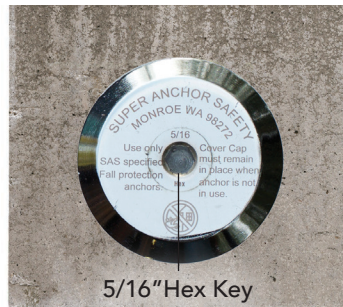
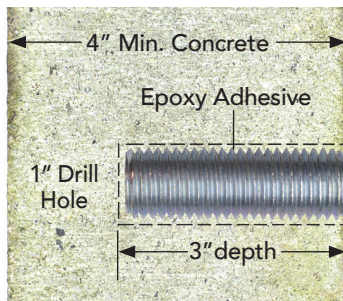
- Min. tensile strength 5,000lb
- 1" grd.5 threaded rod w/5/8"-11 inside threads
- Zinc plated
- Concrete drill hole installation w/epoxy adhesive
- 3rd party engineering by DH Glabe & Assoc. Report available on request

Compliance

ANSI Z359.18-17 Type A/T
 CSA Z259.15:22 Type A/T
 OSHA 1926.502

No.1090-SSA

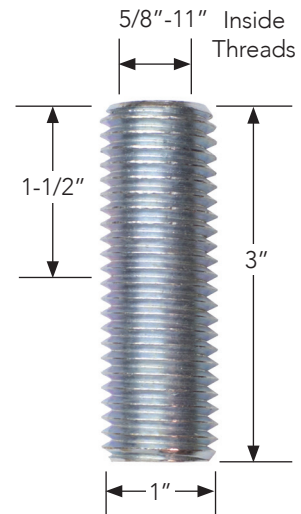
Loop Top Installed



No.1305-RC
 Removable Chrome Steel Cover Plate



No.1309-3



Ordering Information

Part Name/No.	Contents	wt/lb
▲ SSA 1309-3	Receiver Bolt	0.4
▲ SSA 1309-3K	Complete Kit	1.6

Anchor Models Order Separately

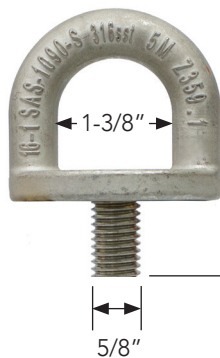
Part No.	Type	Material
▲ 1090-SSA	Loop Top	316sst
■ 1091-SSA	Pass-Thru	
▲ 1028 Swivel-D	Forged D-Ring	Zinc Plated

■ Standard Design Custom mfg. ▲ Stock Part.

Compatible Anchors Sold Separately

No.1090-SSA

Loop Top



No.1091-SSA

Pass-Thru



No.1028 Swivel-D

D-Ring



No.1309-3K Contents

- 1ea 1309-3 receiver bolt
- 1ea 5/8"x1" temporary bolt
- 1ea No.1090-SSA loop top anchor
- 1ea No.1305-RC cover plate

