

Utility Anchors

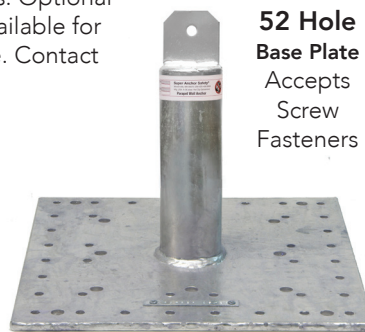
CRA-U utility anchors are mfg. with the same materials as our standard model CRA's. Project specific designed for parapet wall braces, HVAC equipment supports and guy wires. Optional wall braces, brackets and rigging components are available for a complete system. 3rd party engineering is available. Contact SAS sales team for custom mfg. and lead times.

Specifications

- Min. tensile strength *5,000lb
- 3.0" od. sch. 40 riser
- Compatible with SAS rigging accessories
- Custom mfg. specify riser heights, base plate type, dimensions and bolt hole sizes.

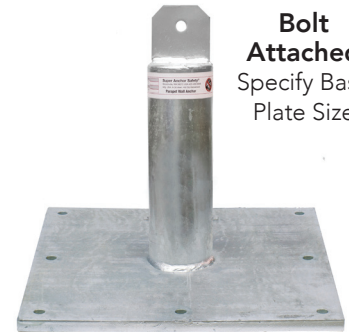
*SAS factory tensile test available on request

No.1066-X CRA-U Specify Model Type When Ordering



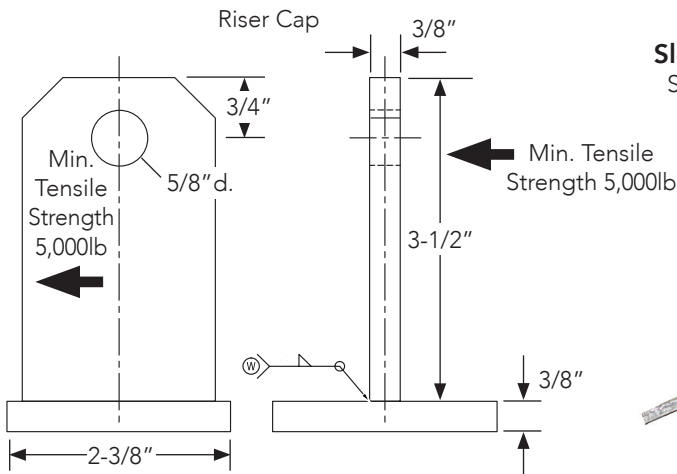
52 Hole Base Plate
Accepts Screw Fasteners

16"x16"x3/8"



Bolt Attached
Specify Base Plate Size

No.1420-URB



Sloped w/Base Plate Specify Deg. of Slope

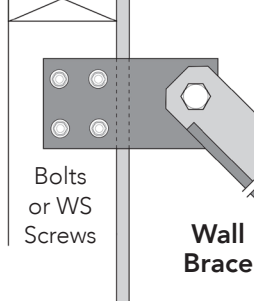


Field Weld Risers Specify ht/deg. of Slope

Riser Sloped Riser



Interior Wall Bracket



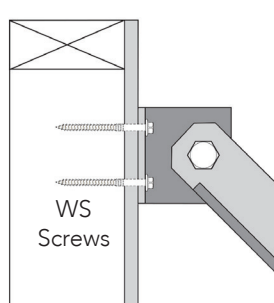
Parapet Wall Brace Examples

Custom mfg. wall braces and attachment bracket designs are specified by the project architect or engineer.

Wall Brace

No.1058/1058-S Turnbuckle

Exterior Wall Bracket



5/8"x3" Hex Head Bolt w/Lock Nut

Guy Wire Anchor

See SAS HLL rigging accessories for wire cable and swaging options



Request Unit Pricing

Part Name	Material		Top Fixture
	Part No.	Type	
CRA-U	■ 1066-X	HDG	■ 1420-URB
		304sst	■ 1420-URBS

- Standard Design Custom mfg. ■ Stock Part.
- Project Specific Custom Design Specifications.

95